



POLO

SHAPE OF LIGHT

PRODUCT SPECIFICATION



NY CEILING
WALL & CEILING SYSTEMS

POLO

Project _____

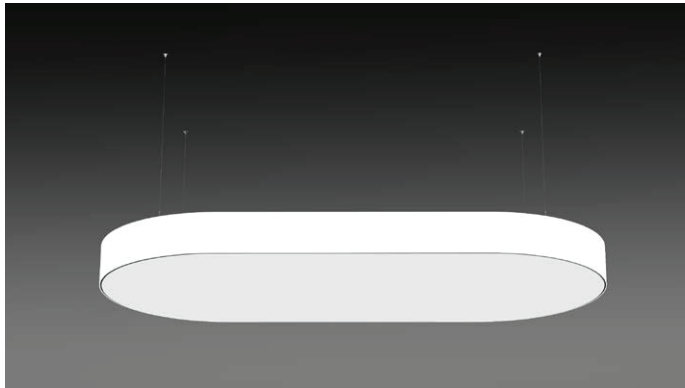
HIGH / STANDARD FLUX

Size _____

Quantity _____

Date _____

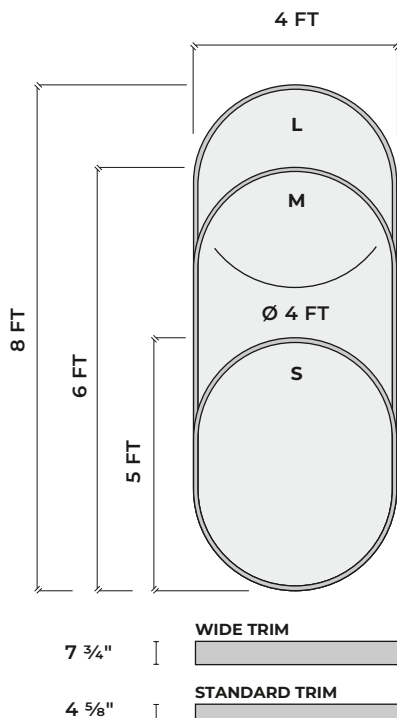
Notes _____



DESCRIPTION

A luminaire with an elongated rounded shape that seamlessly combines elegant simplicity and functionality in its design. With its calm appearance Polo adds a touch of sophisticated beauty to any space. The shape of the luminaire creates a visually appealing focal point, its clean lines and smooth curves evoke a sense of lightness. Whether used in offices, hotels, or residential spaces, Polo provides a balanced and pleasant lighting experience, enhancing visibility and comfort.

ACOUSTIC FEATURES (OPTIONALLY) Experience the perfect combination of superior lighting and noise reduction with an additional sound absorption function. Enjoy the benefits of enhanced visual comfort and a quieter atmosphere, creating an ideal environment for productivity, concentration and relaxation.



NOMINAL SIZES	LIGHT OUTPUT	POWER CONSUMPTION
---------------	--------------	-------------------

STANDARD FLUX, STANDARD/WIDE TRIM			
S	4 x 5 ft	≈ 5 183 LM	84 W
M	4 x 6 ft	≈ 6 417 LM	104 W
L	4 x 8 ft	≈ 8 885 LM	144 W

- LOCATION: indoor, dry location only
- CONTROL PROTOCOL: DIMMING 0/1 - 10 V
- LED CT: TW 2 700 - 6 500 K, 1 600 K, 2 700 K, 3 000 K, 3 500 K, 4 000 K, 5 000 K, 6 500 K, RGBW



NY Ceiling, Inc.
42 Broadway 12-241, New York, NY 10004
+1 (212) 658-0004
info@nyceiling.com, www.nyceiling.com

As part of its ongoing efforts to improve its products, NY Ceiling LTD has the authority to modify the design or alter the materials used in its product without prior notice.

POLO

HIGH / STANDARD FLUX





ENVIRONMENTAL AND APPLICATION CONDITIONS

Location	indoor any premises
Frame Material	aluminium
Diffuser Material	easy accessible flexible translucent diffuser
Fire Rating	CAN/ULC-S102.2/EN:3501-1 Class B
Operating Environment (ta)	-13°F to +131°F
Storage Temperature Range (ts)	-40°F to +185°F
Max. operating (case) temperature (tc)	176°F
IP Rating	IP67, IP20
Dimming mode	PWM (dimnable driver like RF, Bluetooth, 0/1-10V, Triac, DALI, DMX)
Voltage	110 - 240 V

PHOTOMETRICAL AND POWER DATA LIGHT COLOR

CRI (Ra)	Ra ≥ 80, > 90	LIGHT SOURCE	COLOR TEMP
Color Uniformity (Typical)	ErP - ANSI Norm, 3 Step	STATIC WHITE	1 600 K, 2 700 K, 3 000 K, 3 500 K, 4 000 K, 5 000 K, 6 500 K
Lumen Maintenance	75,000 hr	TUNABLE WHITE	2 700 - 6 500 K

OPTIONAL

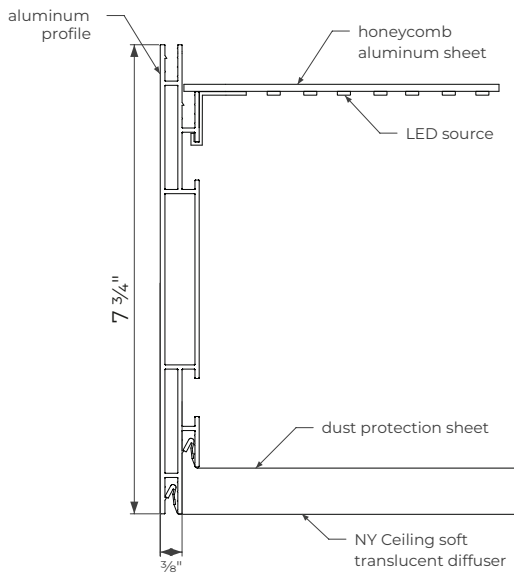
 SIZE	please inquire for details
 PROTOCOL	DALI 2, DMX*
 LED CCT	6 500 K, AM: amber 1 600 K, RGBW*
 ADDITIONAL	remote control or switch, RAL coating, print, acoustic

POLO

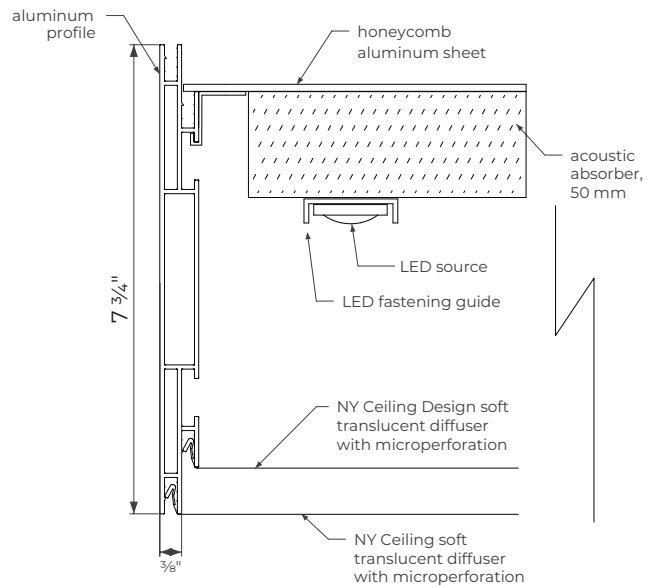
HIGH / STANDARD FLUX

CONSTRUCTION DETAILS

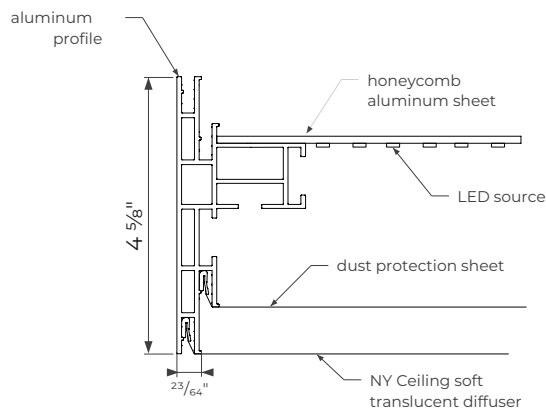
WIDE TRIM



ACOUSTIC TRIM



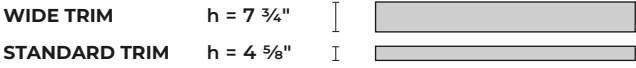
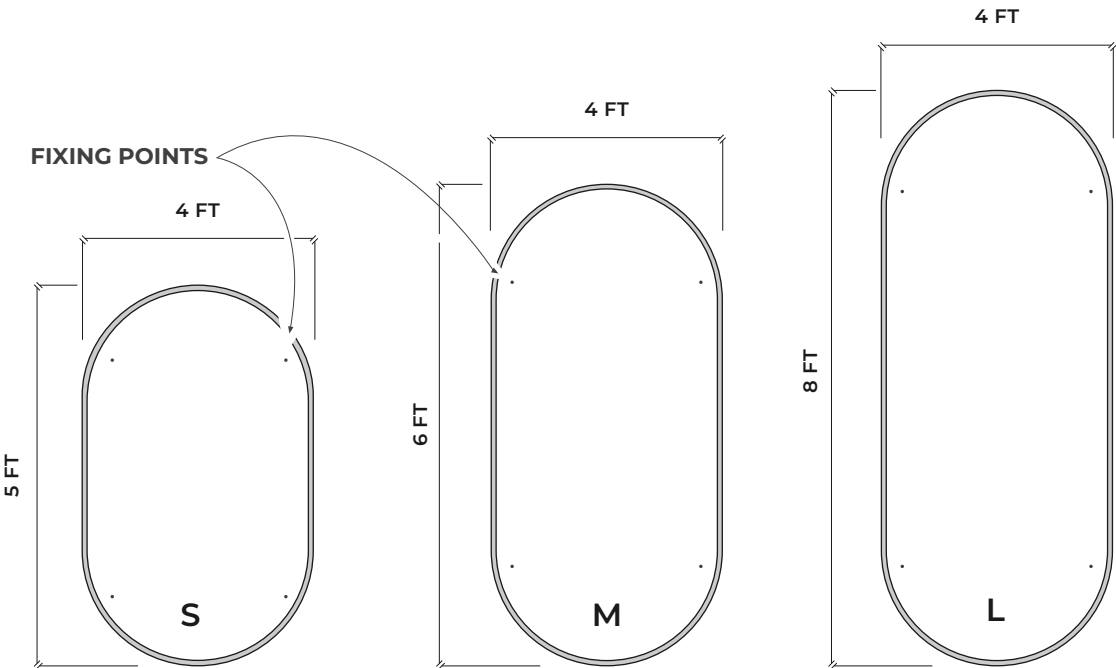
STANDARD TRIM



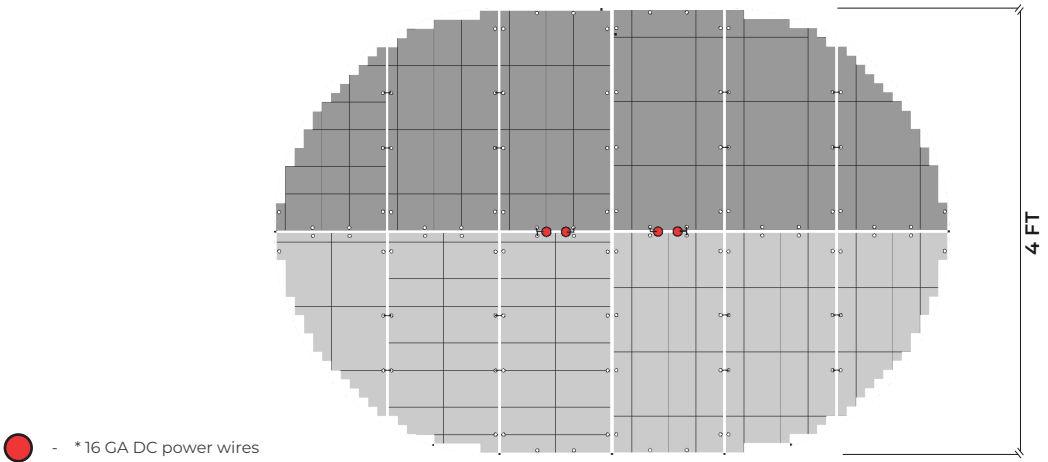
POLO

HIGH / STANDARD FLUX

SHAPE VARIETIES



LED ARRANGEMENT

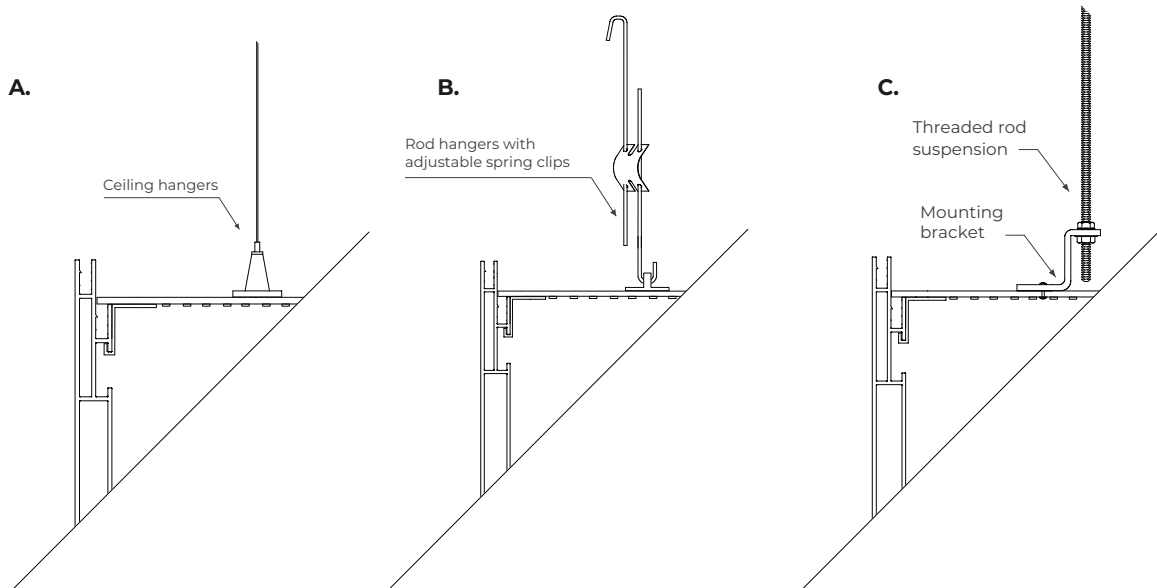


POLO

HIGH / STANDARD FLUX

SUSPENSION DETAILS

- A.** Flexible Installation with height-adjustable steel cable suspension (4 x 78").
- B.** Rigid suspension with quick height-adjustable ceiling clips.
- C.** Threaded rod mounting.



PACKAGE INFORMATION

ACTUAL SIZES		WEIGHT	PACKAGE DIMENSIONS
HIGH FLUX, WIDE TRIM			
S	4 x 5 ft h 7 3/4"	64 lb	5 x 6 ft h 10"
M	4 x 6 ft h 7 3/4"	95 lb	5 x 9 ft h 10"
L	4 x 8 ft h 7 3/4"	113 lb	5 x 11 ft h 10"
STANDARD FLUX, STANDARD TRIM			
S	4 x 5 ft h 4 5/8"	51 lb	5 x 6 ft h 6"
M	4 x 6 ft h 4 5/8"	73 lb	5 x 9 ft h 6"
L	4 x 8 ft h 4 5/8"	93 lb	5 x 11 ft h 6"

POLO

HIGH / STANDARD FLUX

HOW TO ORDER

MODEL	NOMINAL SIZE	LUMINOUS FLUX TYPE	COLOR TEMPERATURE	CONTROL PROTOCOLS	HOUSING COLOR	TYPE OF MOUNT	ADDITIONAL FEATURES
POLO	5 FT	STANDARD	2 700 K	DIM 0/1 - 10 V	WHITE	FLEXIBLE	PRINT diffusor with print
	6 FT	HIGH	TW 2 700 - 6 500 K	DALI	RAL XXXX desired RAL color code	RIGID	ACOUSTIC sound absorption
	8 FT		1 600 K	DALI 2		THREADED	
			3 000 K	DMX for RGBW		SURFACE WALL	
			3 500 K			SURFACE CEILING	
			4 000 K				
			5 000 K				
			6 000 K				
			6 500 K				
			RGBW				

• general features
• optional features

ORDER EXAMPLE:
POLO - 4 x 5 FT - HIGH - TW - Dali - White - Flexible - Acoustic

POLO + 4 x 5 FT + HIGH + TW + DALI + WHITE + FLEXIBLE + ACOUSTIC

SHAPE OF LIGHT :

- Available in rectangles, circles and curved shapes
- Our flush mount solutions provide continuous, immersive illumination across your ceiling or cavity
- The flexible profile is easy to install, making it a convenient choice for any space
- Dust ply is included, so you can enjoy clean and clear lighting
- Choose from eight CCT options, including tunable white and dim-to-warm, to achieve the perfect ambiance for your needs.